

HIGH VOLTAGE CONNECTOR OVERVIEW

Table of Contents

THUMBNAILED by CONNECTOR TYPE	4
“Mammo’s ”	4
“Mini’s”	4
“Federal standard – like”	5
“Rubber cones”	6
“Flat connectors”	7
“Adaptors”	7
“Others”	7
 Connectors sorted by CA number	 8
 TERMINATION, CA1	 9
TERMINATION, CA1RA	10
TERMINATION, CA2	11
TERMINATION, CA3	12
TERMINATION, CA3RA	13
TERMINATION, CA4	14
TERMINATION, CA7	15
TERMINATION, CA9	16
TERMINATION, CA10	17
TERMINATION, CA10RA	18
TERMINATION, CA11	19
TERMINATION, CA11RA	20

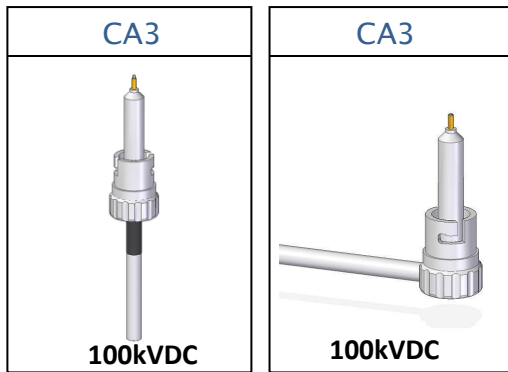
TERMINATION, CA12	21
TERMINATION, CA12RA	22
TERMINATION, CA12SL	23
TERMINATION, CA12SLRA	24
TERMINATION, CA15	25
TERMINATION, CA16	26
TERMINATION, CA17	27
TERMINATION, CA18	28
TERMINATION, CA18RA	29
TERMINATION, CA18SLRA	30
TERMINATION, CA19	31
TERMINATION, CA19RA	32
TERMINATION, CA20	33
TERMINATION, CA20RA	34
TERMINATION, CA21	35
TERMINATION, CA22	36
TERMINATION, CA23	37
TERMINATION, CA24	38
TERMINATION, CA28	49
TERMINATION, CA29	40
TERMINATION, CA30RA	41
ADAPTOR, CA38	42
TERMINATION, CA44	43
TERMINATION, CA45	44
TERMINATION, CA48	45
TERMINATION, CA52	46
TERMINATION, CA52RA	47

TERMINATION, CA77	48
TERMINATION, CA91	49
TERMINATION, CA93	50
TERMINATION, CA97	51
TERMINATION, CA98	52
TERMINATION, CA99	53
TERMINATION, CA130	54
TERMINATION, CA140	55
TERMINATION, CA143	56
TERMINATION, CA147	57
TERMINATION, CA148	58

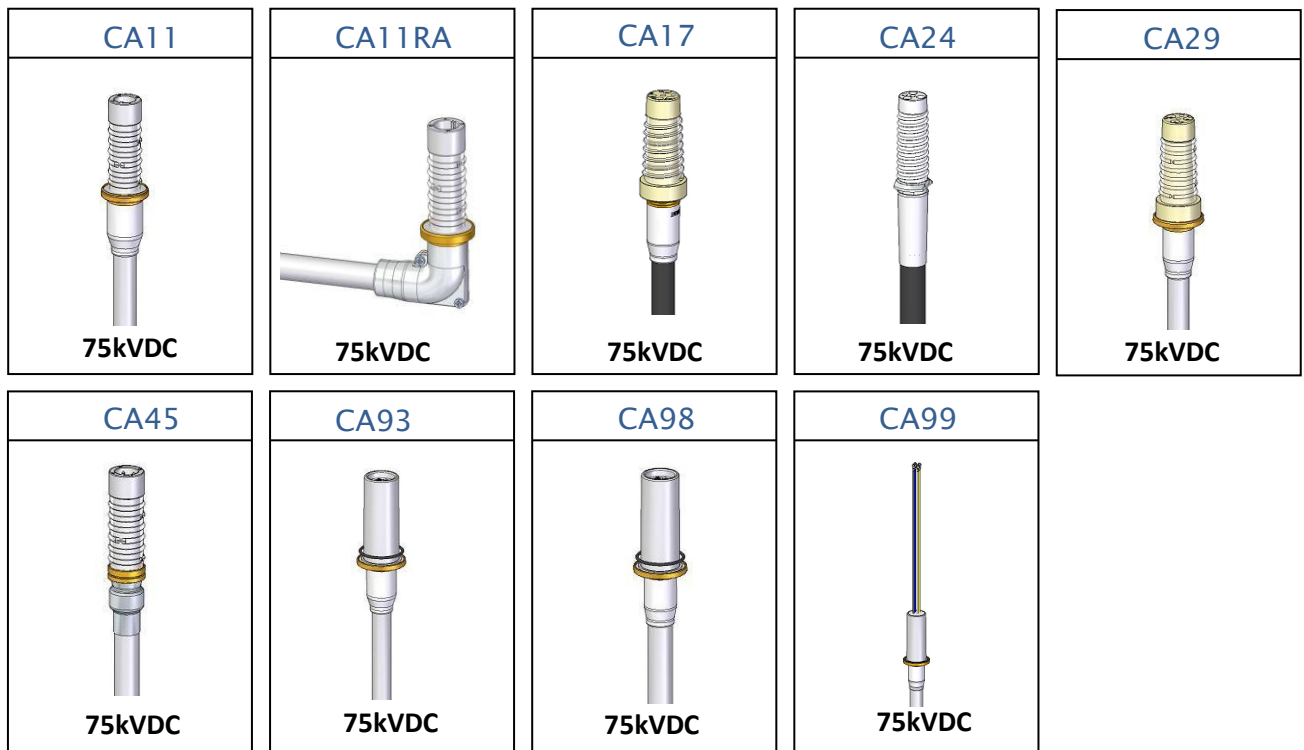
THUMBNAILED by CONNECTOR TYPE

[Back to top](#)

“Mammo’s ”


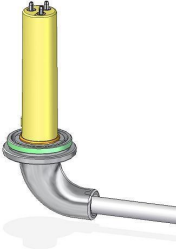









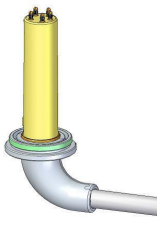




“Mini’s”





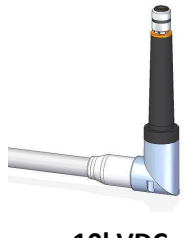






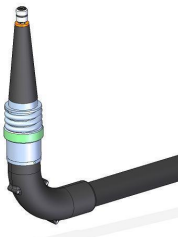


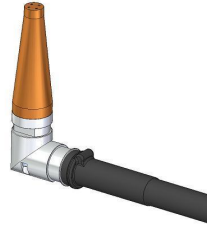


“Federal standard – like”

[Back to top](#)

<p>CA1</p>  <p>100kVDC</p>	<p>CA1RA</p>  <p>100kVDC</p>	<p>CA4</p>  <p>100kVDC</p>	<p>CA7</p>  <p>100kVDC</p>	<p>CA15</p>  <p>100kVDC</p>
<p>CA16</p>  <p>160kVDC</p>	<p>CA20</p>  <p>60kVDC</p>	<p>CA20RA</p>  <p>60kVDC</p>	<p>CA44</p>  <p>100kVDC</p>	<p>CA48</p>  <p>160kVDC</p>
<p>CA52</p>  <p>100kVDC</p>	<p>CA52RA</p>  <p>100kVDC</p>	<p>CA97</p>  <p>100kVDC</p>	<p>CA140</p>  <p>75kVDC</p>	

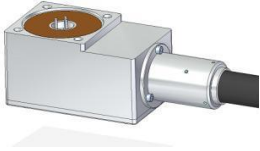



“Rubber cones”

[Back to top](#)

<p>CA9</p>  <p>75kVDC</p>	<p>CA10</p>  <p>100kVDC</p>	<p>CA10RA</p>  <p>10kVDC</p>	<p>CA12</p>  <p>160kVDC</p>	<p>CA12RA</p>  <p>160kVDC</p>
<p>CA12SL</p>  <p>160kVDC</p>	<p>CA12SLRA</p>  <p>160kVDC</p>	<p>CA18</p>  <p>225kVDC</p>	<p>CA18RA</p>  <p>225kVDC</p>	<p>CA18SLRA</p>  <p>225kVDC</p>
<p>CA19</p>  <p>225kVDC</p>	<p>CA19RA</p>  <p>225kVDC</p>	<p>CA22</p>  <p>150kVDC</p>	<p>CA91</p>  <p>60kVDC</p>	<p>CA147</p>  <p>40kVDC</p>


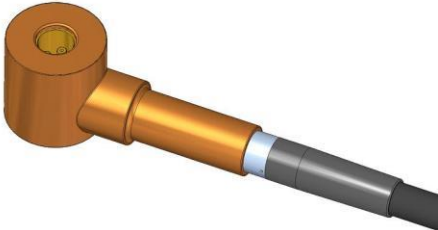
“Flat connectors”

[Back to top](#)

CA21	CA28	CA77	CA143
 <p>150kVDC</p>	 <p>160kVDC</p>	 <p>200kVDC</p>	 <p>160kVDC</p>





“Adaptors”

[Back to top](#)

CA38	CA28
 <p>75kVDC</p>	 <p>160kVDC</p>

“Others”

[Back to top](#)

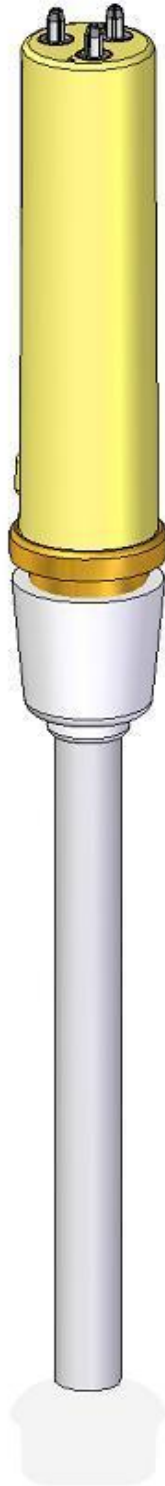
CA2	CA30RA	CA130	CA148
 <p>300kVDC</p>	 <p>60kVDC</p>	 <p>75kVDC</p>	 <p>75kVDC</p>

Connectors sorted by **CA number**

[Back to top](#)

TERMINATION, CA1

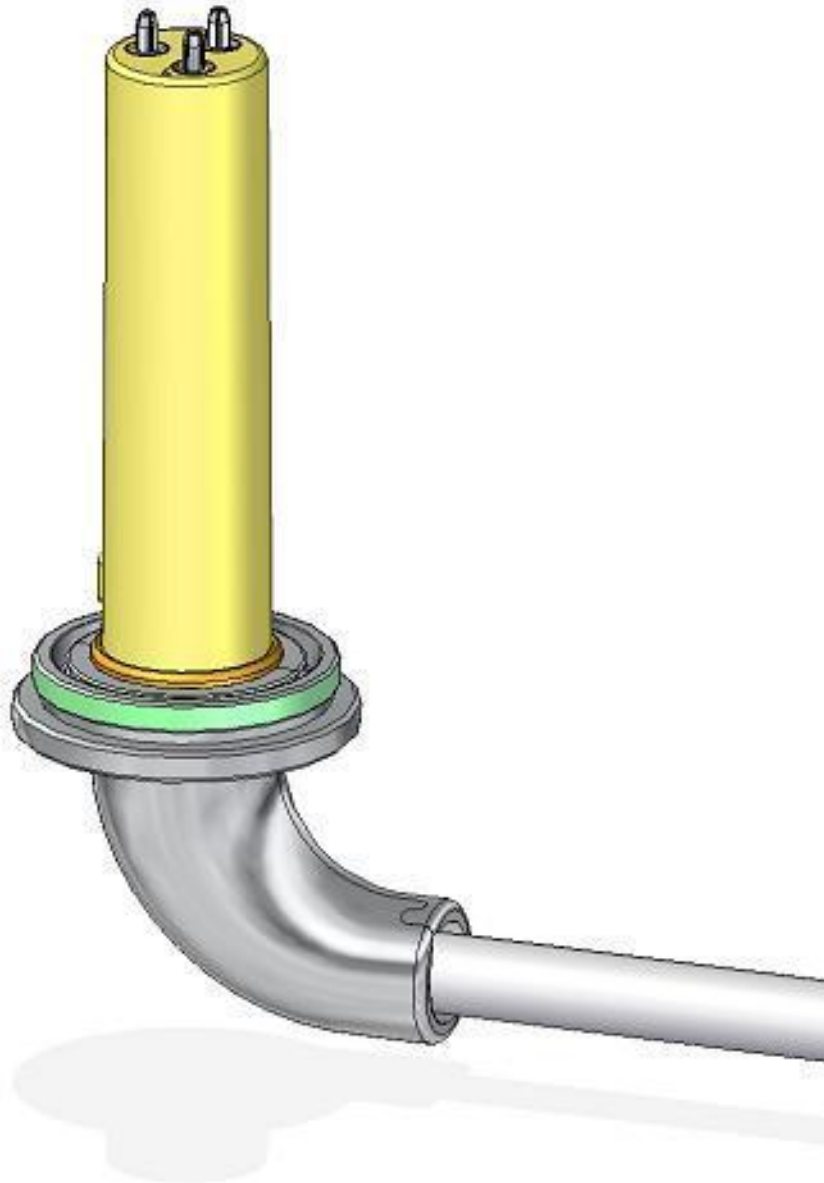
[Back to top](#)



100kVDC

TERMINATION, CA1RA

[Back to top](#)



100kVDC

TERMINATION, CA2

[Back to top](#)



300kVDC

TERMINATION, CA3

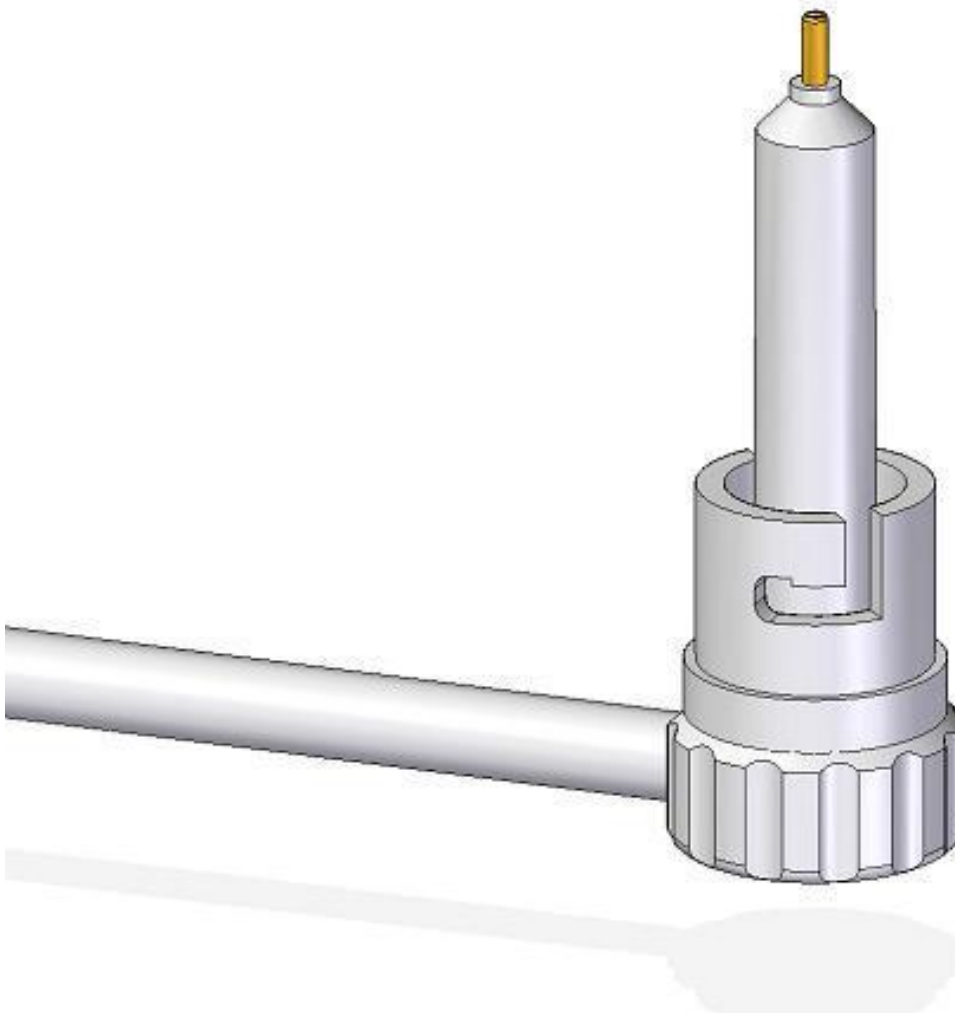
[Back to top](#)



60kVDC

TERMINATION, CA3RA

[Back to top](#)



60kVDC

TERMINATION, CA4

[Back to top](#)



100kVDC

TERMINATION, CA7

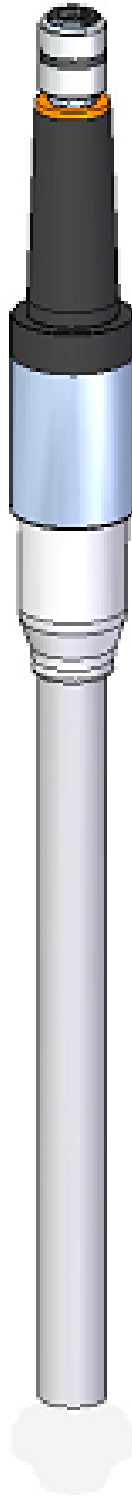
[Back to top](#)



100kVDC

TERMINATION, CA9

[Back to top](#)



75kVDC

TERMINATION, CA10

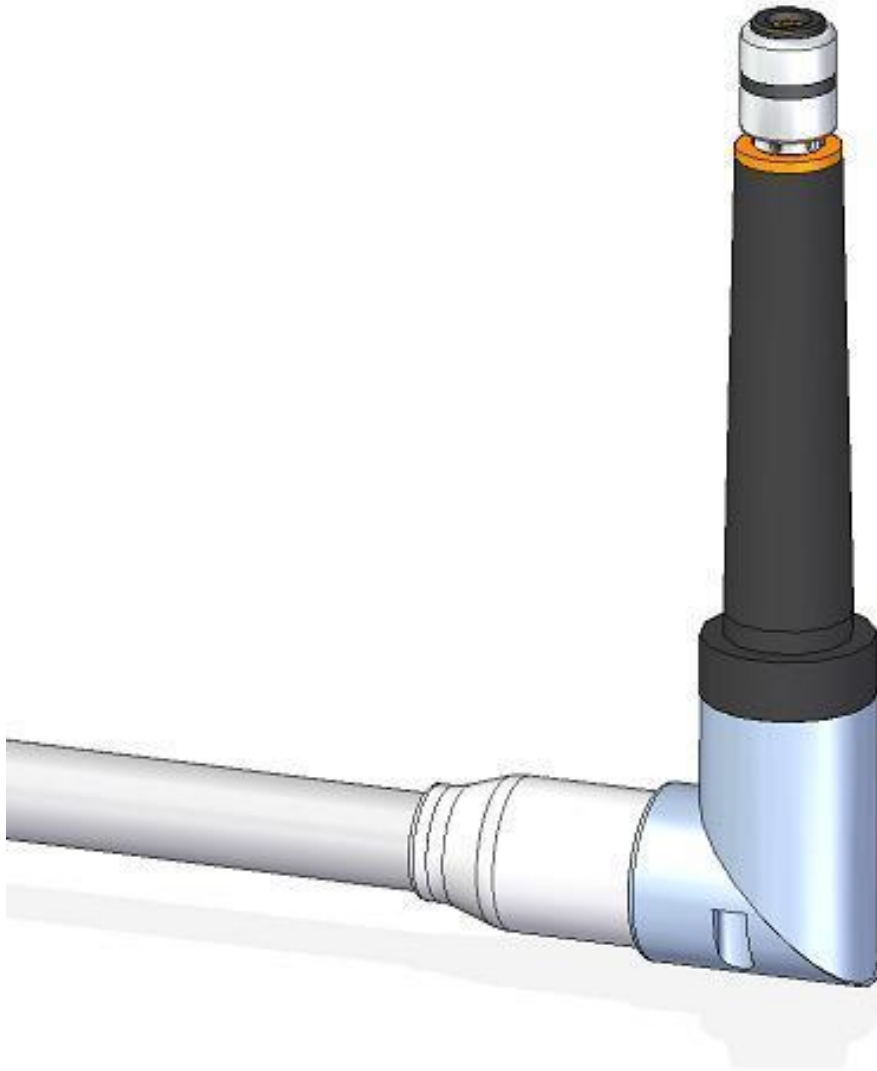
[Back to top](#)



100kVDC

TERMINATION, CA10RA

[Back to top](#)



100kVDC

TERMINATION, CA11

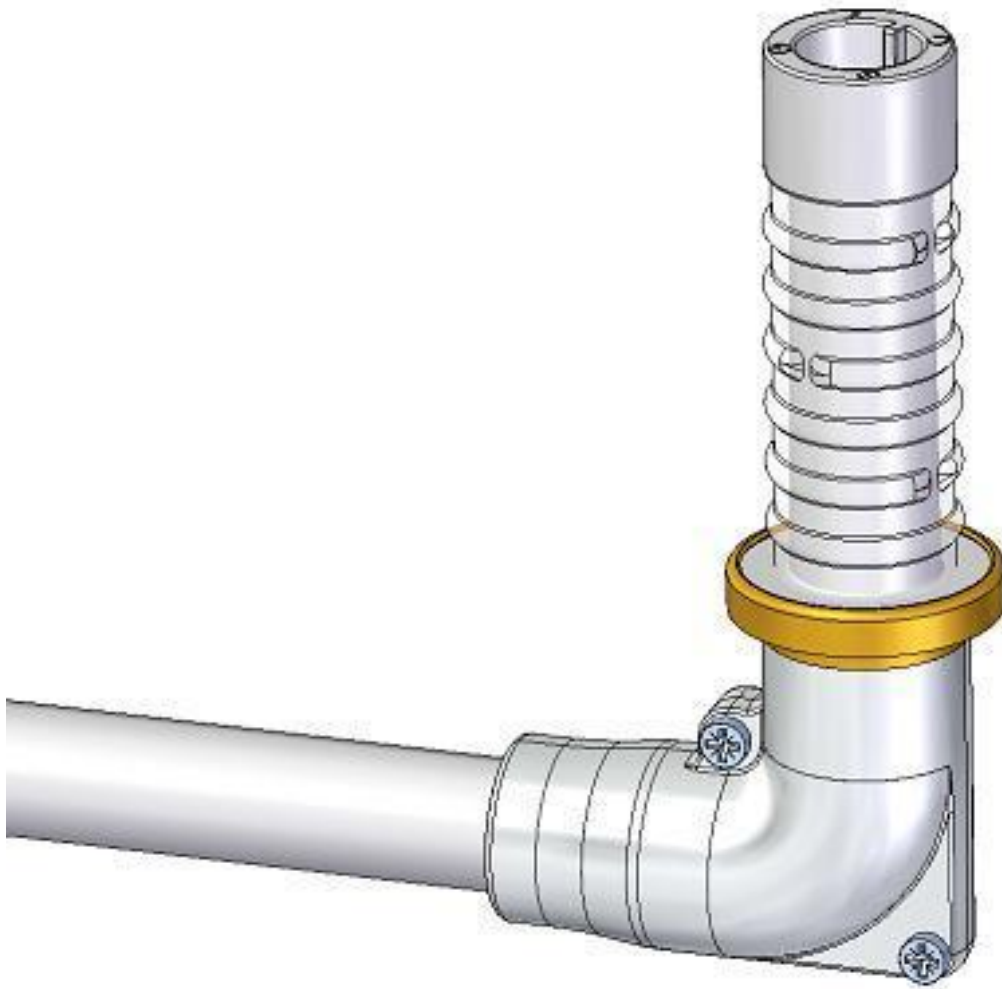
[Back to top](#)



75kVDC

TERMINATION, CA11RA

[Back to top](#)



75kVDC

TERMINATION, CA12

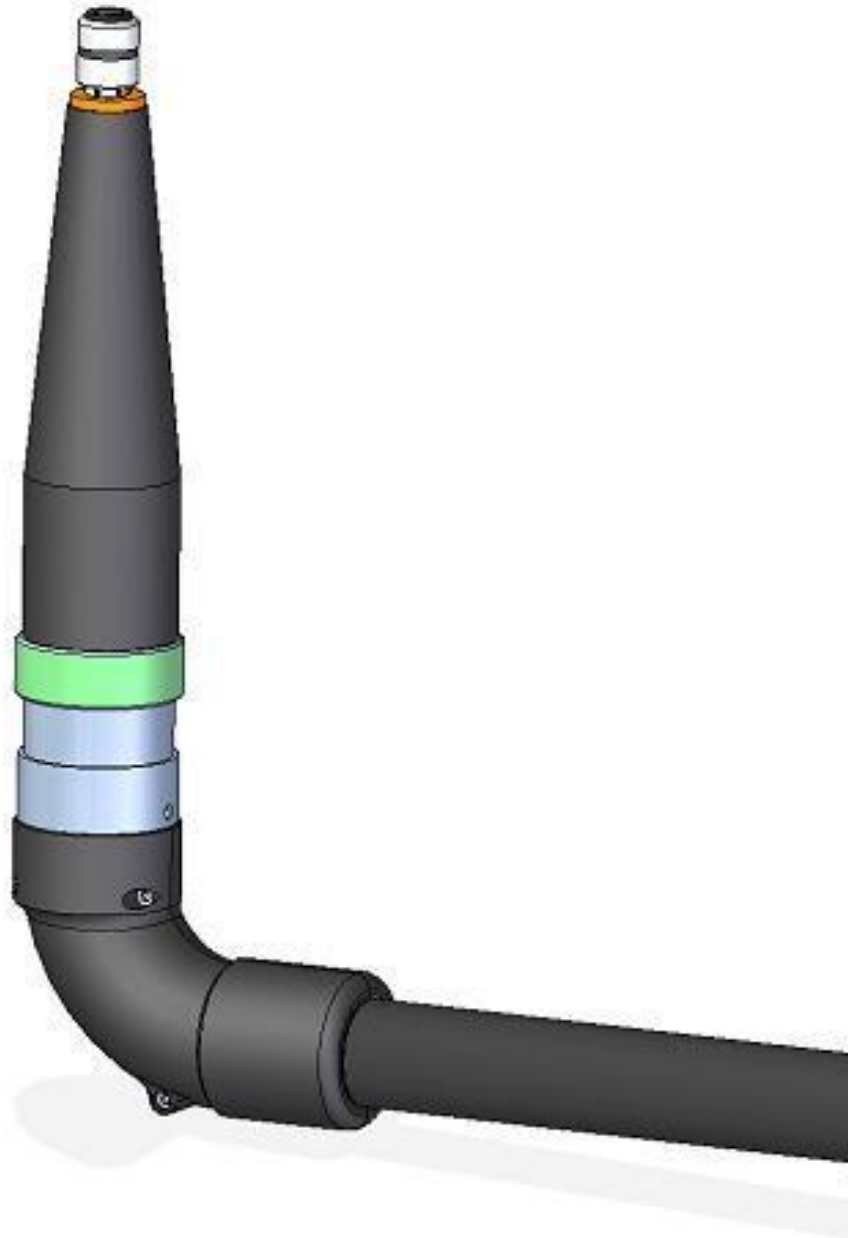
[Back to top](#)



160kVDC

TERMINATION, CA12RA

[Back to top](#)



160kVDC

TERMINATION, CA12SL

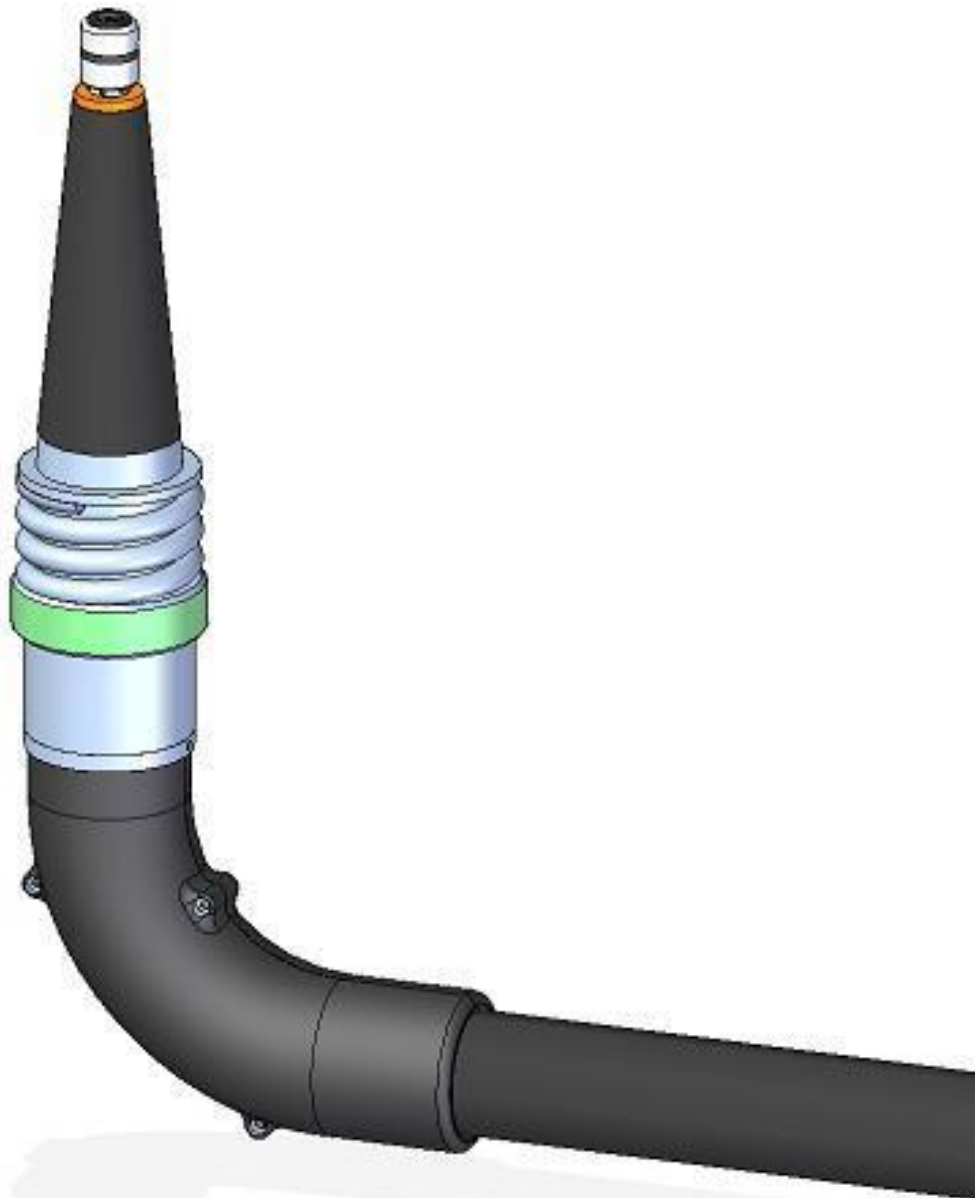
[Back to top](#)



160kVDC

TERMINATION, CA12SLRA

[Back to top](#)



160kVDC

TERMINATION, CA15

[Back to top](#)



100kVDC

TERMINATION, CA16

[Back to top](#)



160kVDC

TERMINATION, CA17

[Back to top](#)



75kVDC

TERMINATION, CA18

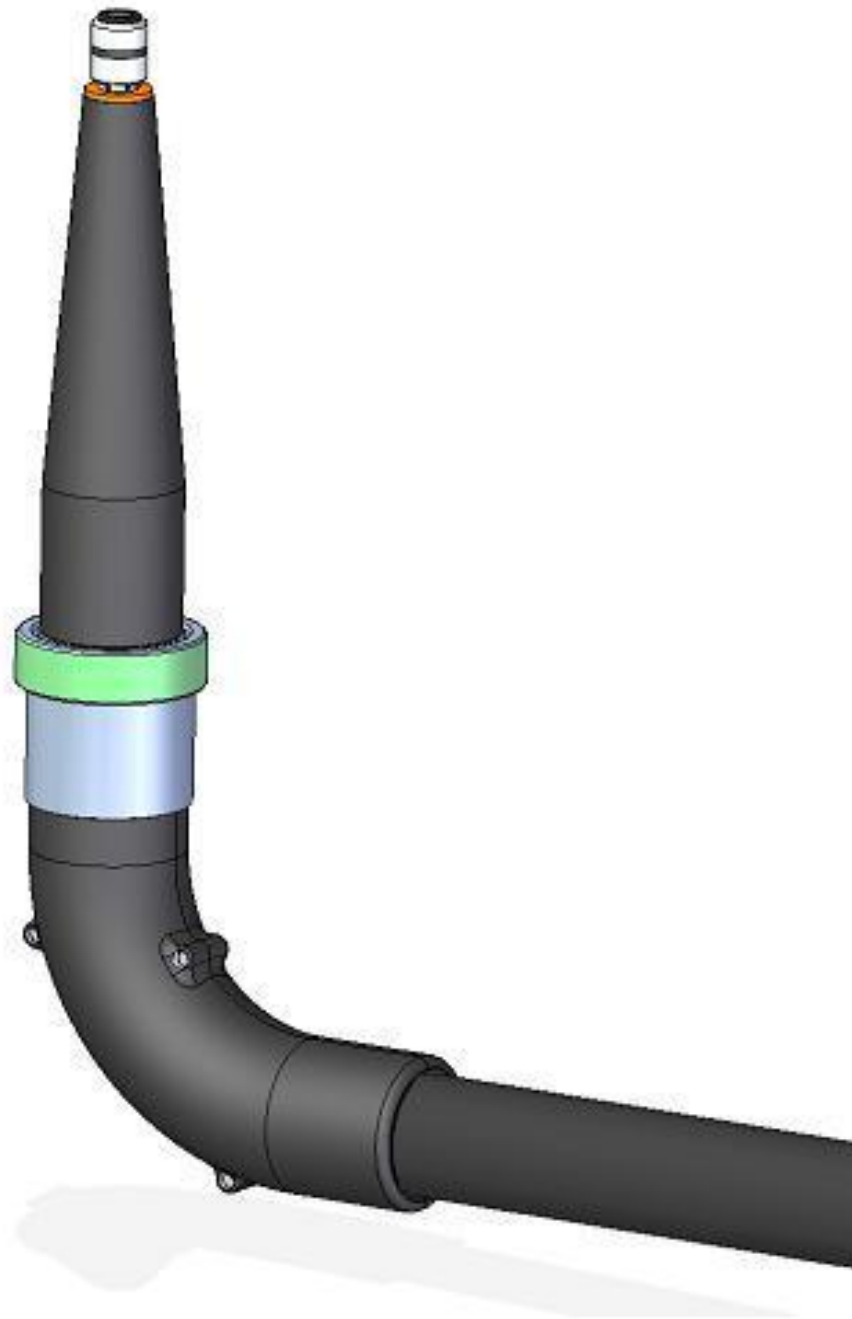
[Back to top](#)



225kVDC

TERMINATION, CA18RA

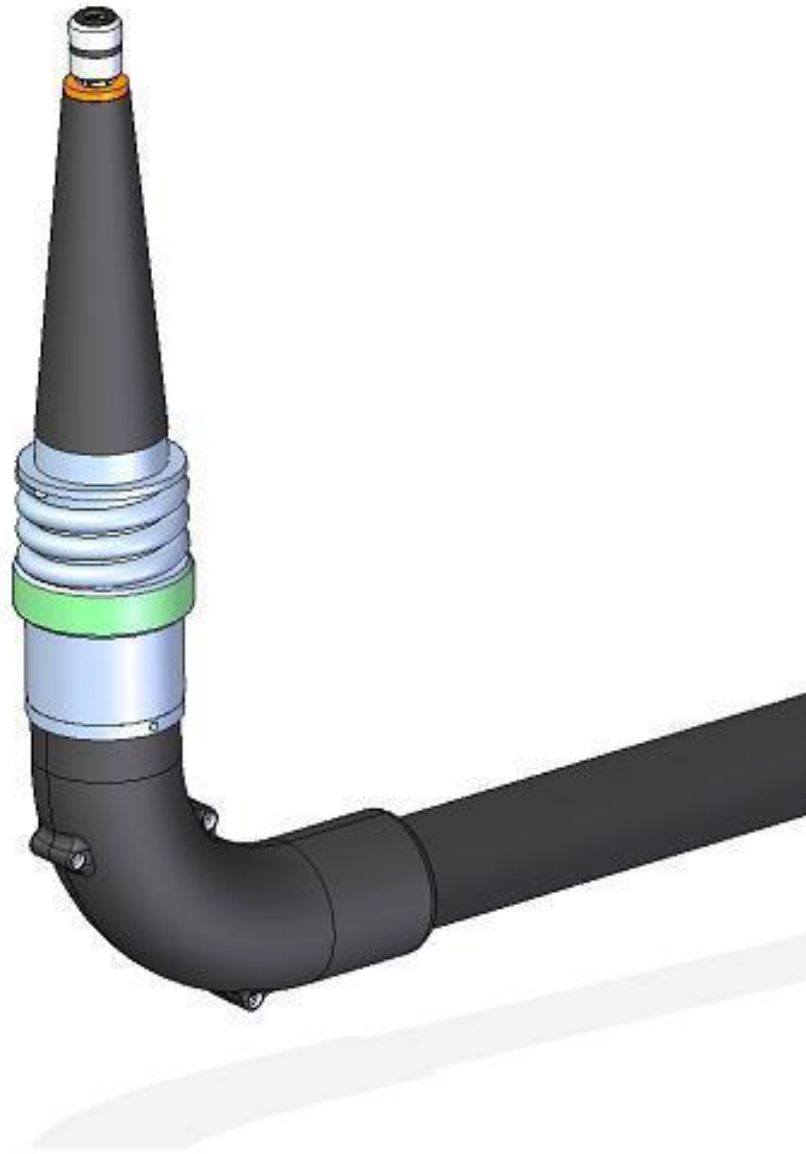
[Back to top](#)



225kVDC

TERMINATION, CA18SLRA

[Back to top](#)



225kVDC

TERMINATION, CA19

[Back to top](#)



225kVDC

TERMINATION, CA19RA

[Back to top](#)



225kVDC

TERMINATION, CA20

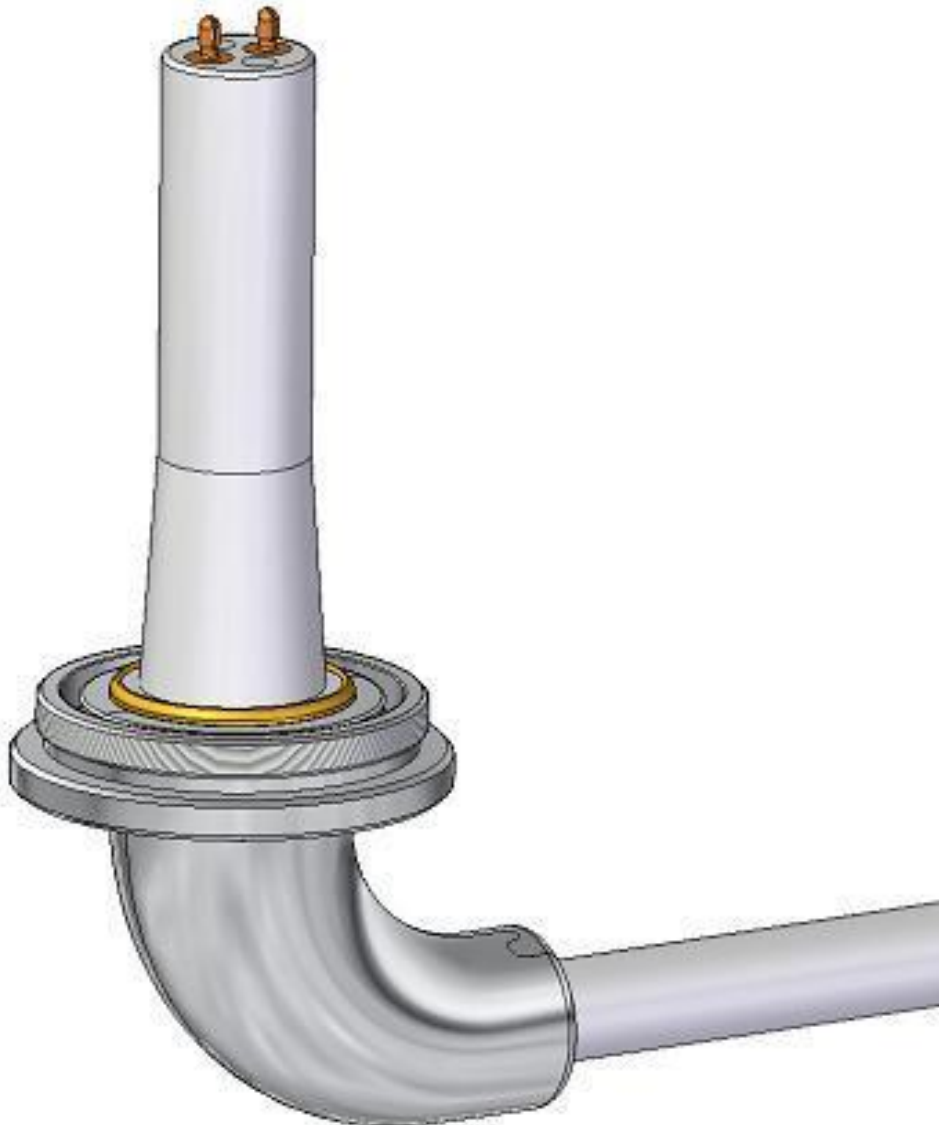
[Back to top](#)



60kVDC

TERMINATION, CA20RA

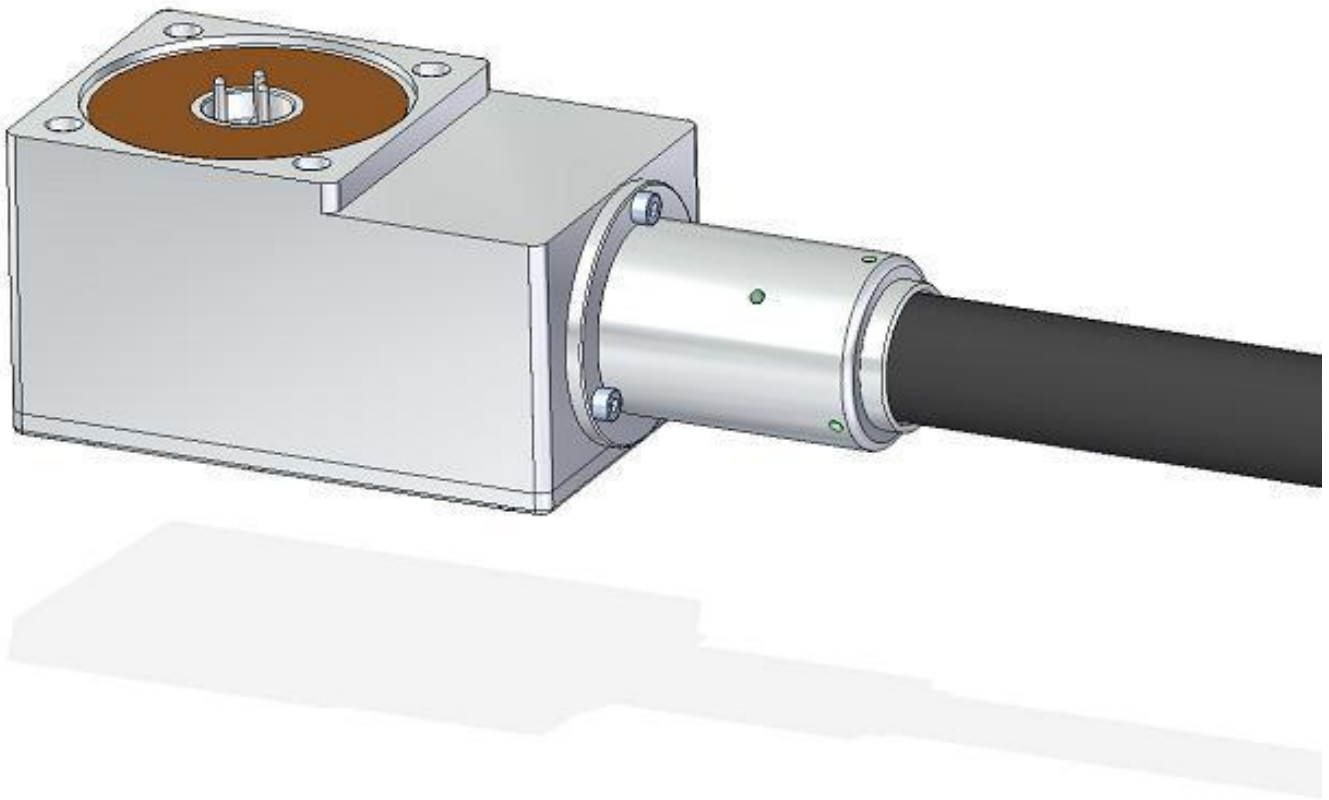
[Back to top](#)



60kVDC

TERMINATION, CA21

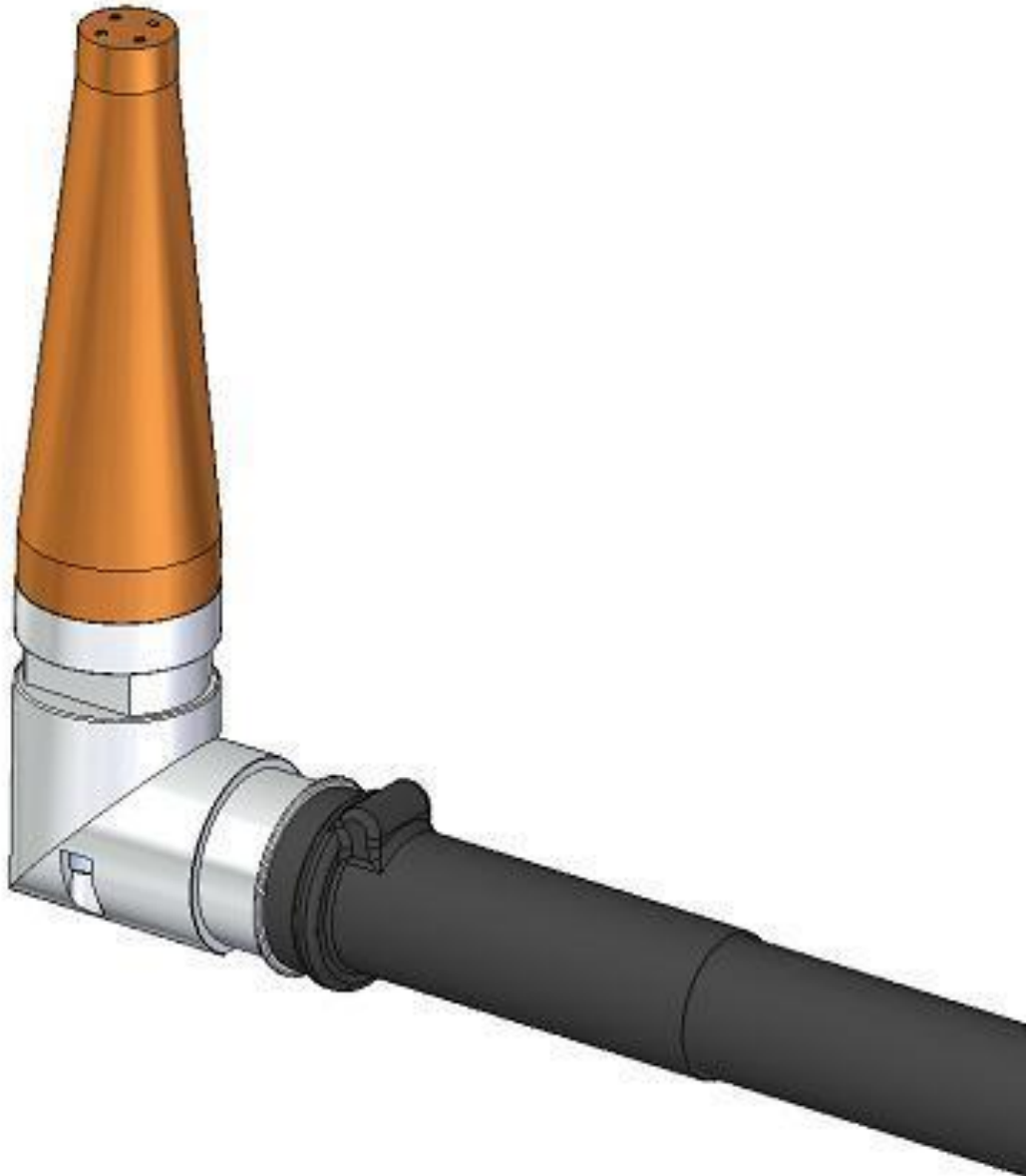
[Back to top](#)



150kVDC

TERMINATION, CA22

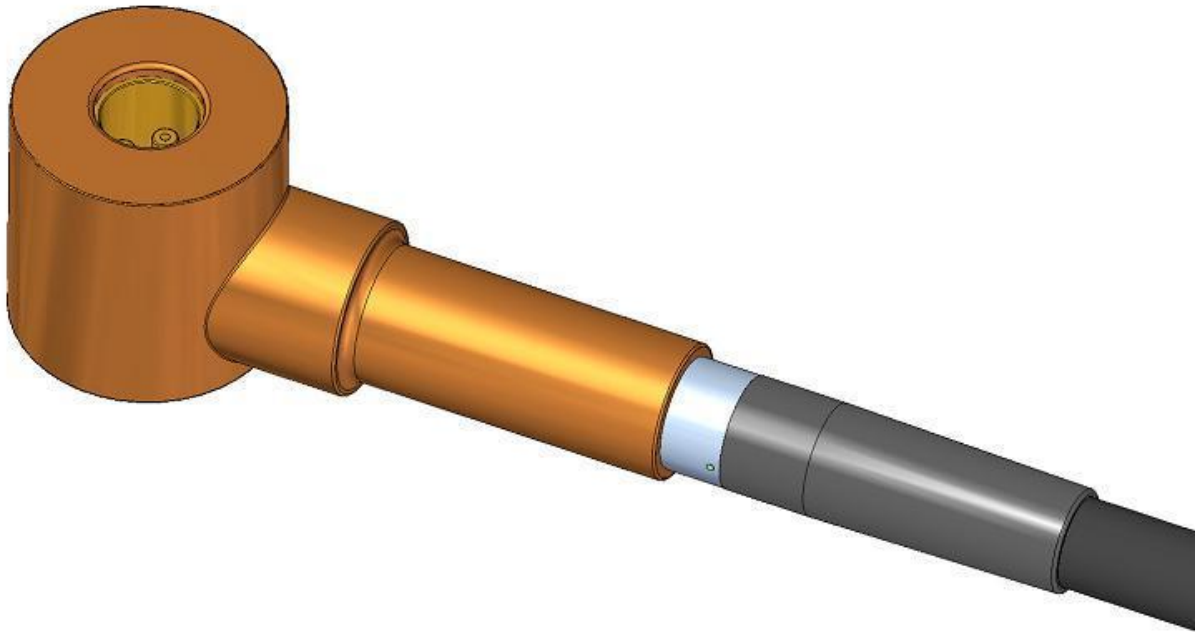
[Back to top](#)



150kVDC

TERMINATION, CA23

[Back to top](#)



160kVDC

TERMINATION, CA24

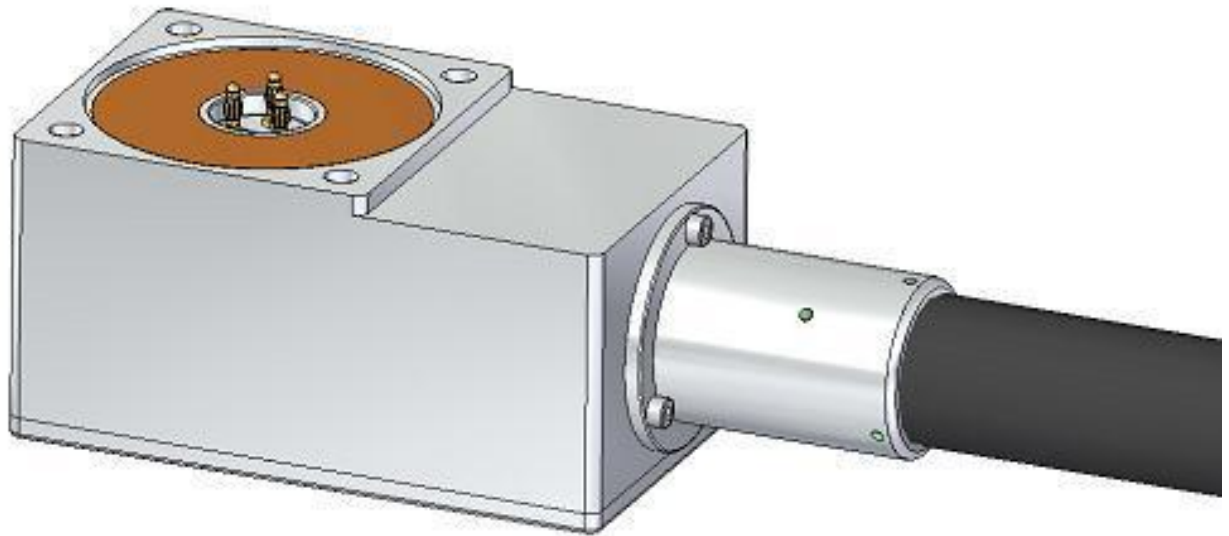
[Back to top](#)



75kVDC

TERMINATION, CA28

[Back to top](#)



160kVDC

TERMINATION, CA29

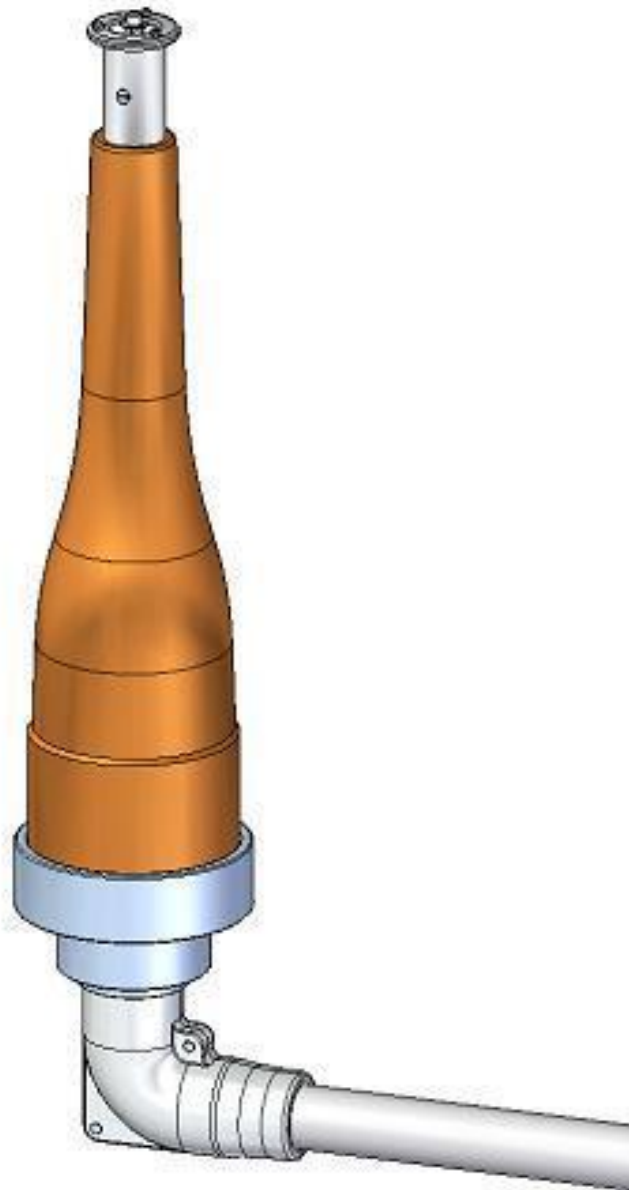
[Back to top](#)



75kVDC

TERMINATION, CA30RA

[Back to top](#)



60kVDC

ADAPTOR, CA38

[Back to top](#)



75kVDC

TERMINATION, CA44

[Back to top](#)



100kVDC

TERMINATION, CA45

[Back to top](#)



75kVDC

TERMINATION, CA48

[Back to top](#)



160kVDC

TERMINATION, CA52

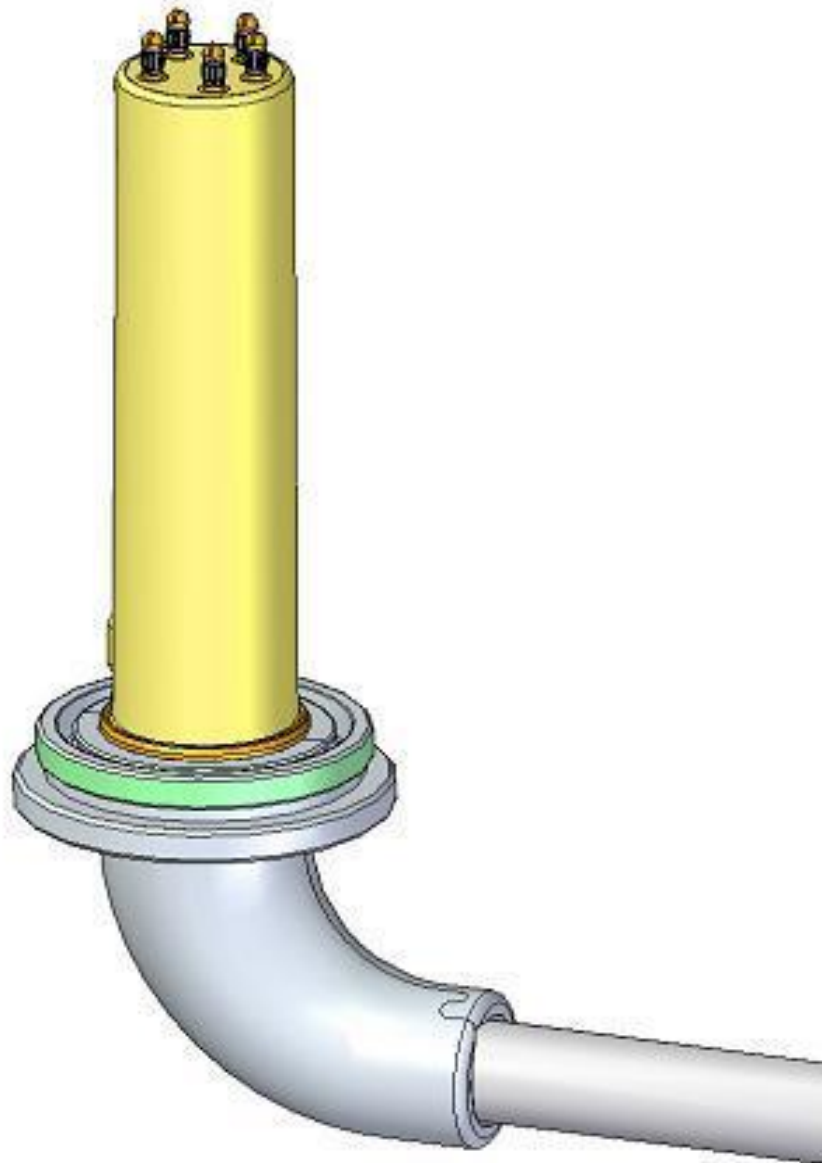
[Back to top](#)



100kVDC

TERMINATION, CA52RA

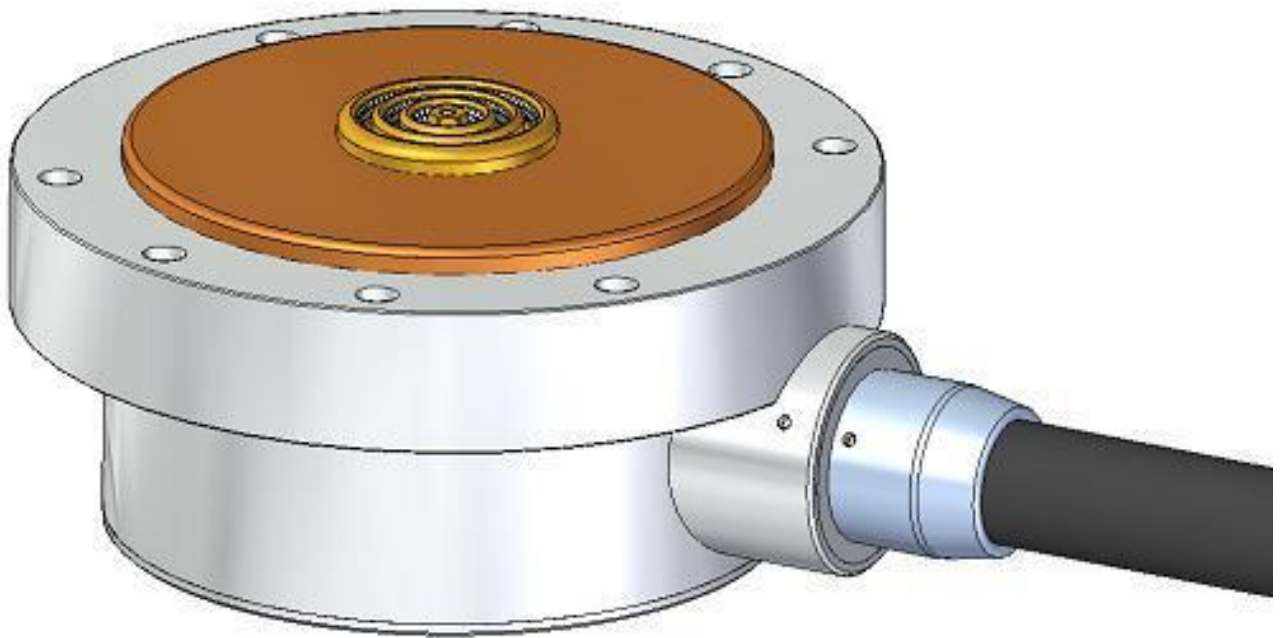
[Back to top](#)



100kVDC

TERMINATION, CA77

[Back to top](#)



200kVDC

TERMINATION, CA91

[Back to top](#)



60kVDC

TERMINATION, CA93

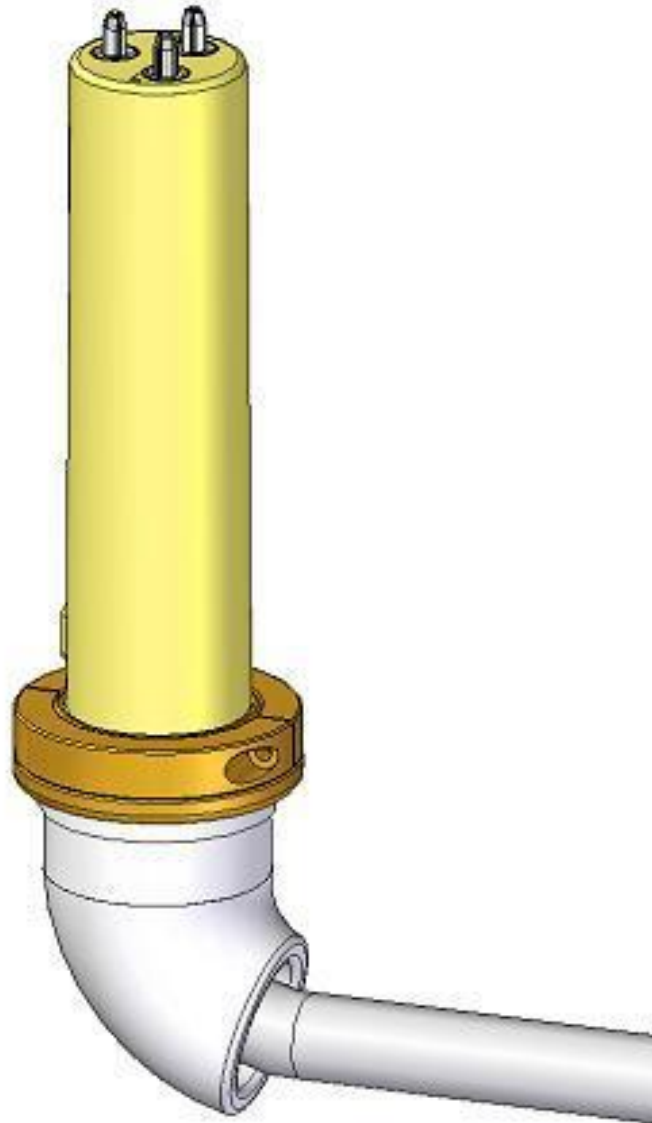
[Back to top](#)



75kVDC

TERMINATION, CA97

[Back to top](#)



75kVDC

TERMINATION, CA98

[Back to top](#)



75kVDC

TERMINATION, CA99

[Back to top](#)



75kVDC

TERMINATION, CA130

[Back to top](#)



75kVDC

TERMINATION, CA140

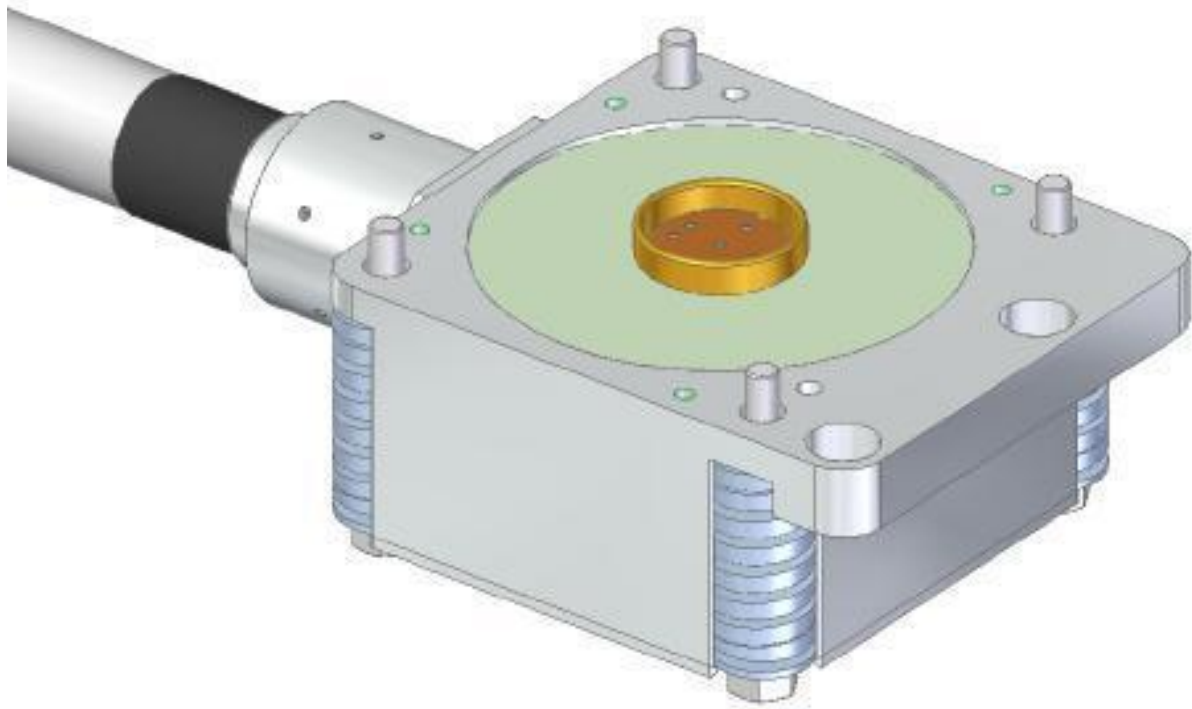
[Back to top](#)



75kVDC

TERMINATION, CA143

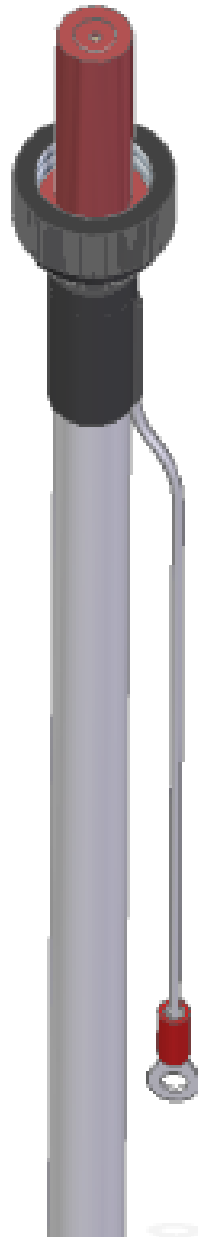
[Back to top](#)



160kVDC

TERMINATION, CA147

[Back to top](#)



40kVDC

TERMINATION, CA148

[Back to top](#)



75kVDC